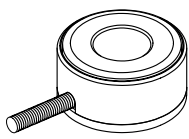
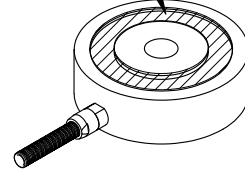
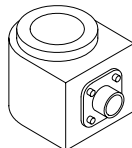


CAUTIONS

- 1) DO NOT PULL ON OR CARRY SENSOR BY CABLE.
- 2) BE CAREFUL NOT TO APPLY EXCESSIVE PRESSURE ON OR MOUNT ANYTHING IN CONTACT OF THE DIAPHRAGM AREA.
- 3) LOAD MUST BE APPLIED UNIFORMLY ON ENTIRE LOADING SURFACE
- 4) ANY TAMPERING OR REMOVAL OF COVER, CABLE AND/OR CONNECTOR WILL VOID WARRANTY
- 5) ALWAYS HAVE SENSOR PLUGGED IN DURING INSTALLATION AND HANDLING TO MONITOR OUTPUT TO AVOID PERMANENT ZERO SHIFT AND OVERLOAD.

<p>FORCE WASHER</p> <p>L2700 SENSOR TYPE</p> 	<p>DONUT/ THRU HOLE</p> <p>DIAPHRAGM AREA</p>  <p>L2760 SENSOR TYPE</p>	<p>FORCE/ LOAD WASHER W/ REMOVABLE LOAD BUTTON</p> <p>Q07474</p> 
--	---	---

MOUNTING

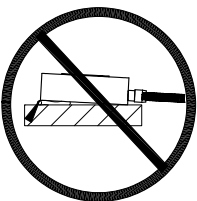
1

- FLAT AND EVEN SURFACE REQUIRED



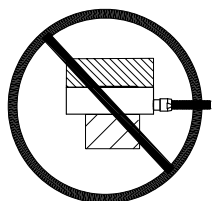
2

- MAINTAIN CLEAN SURFACE

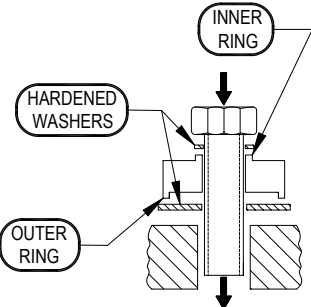
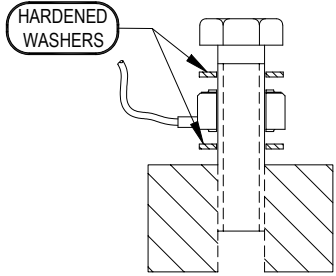


3 **APPLICABLE TO DONUT/ THRU HOLE ONLY**

- LOAD FIXTURE MUST CONTACT TOP INNER RING ONLY
- SUPPORT FIXTURE MUST CONTACT LOWER OUTER RING ONLY

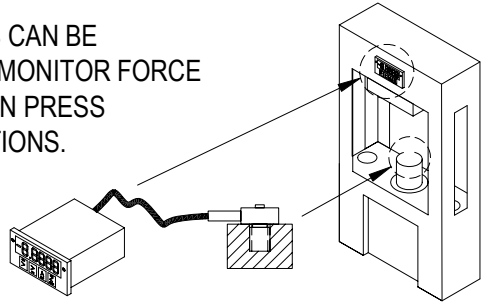


4 SUGGESTED MOUNTING

<p>THRU HOLE/ DONUT</p> 	<p>FORCE WASHER</p> 
--	---

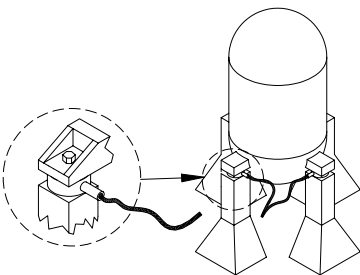
5

- SENSORS CAN BE USED TO MONITOR FORCE APPLIED IN PRESS APPLICATIONS.



6

- SENSORS CAN BE USED TO MONITOR VOLUME IN HOLDING TANK APPLICATIONS.



7

- FORCE WASHER CAN BE USED TO TELL THE FORCE BETWEEN TWO PLATES BOLTED TOGETHER.

